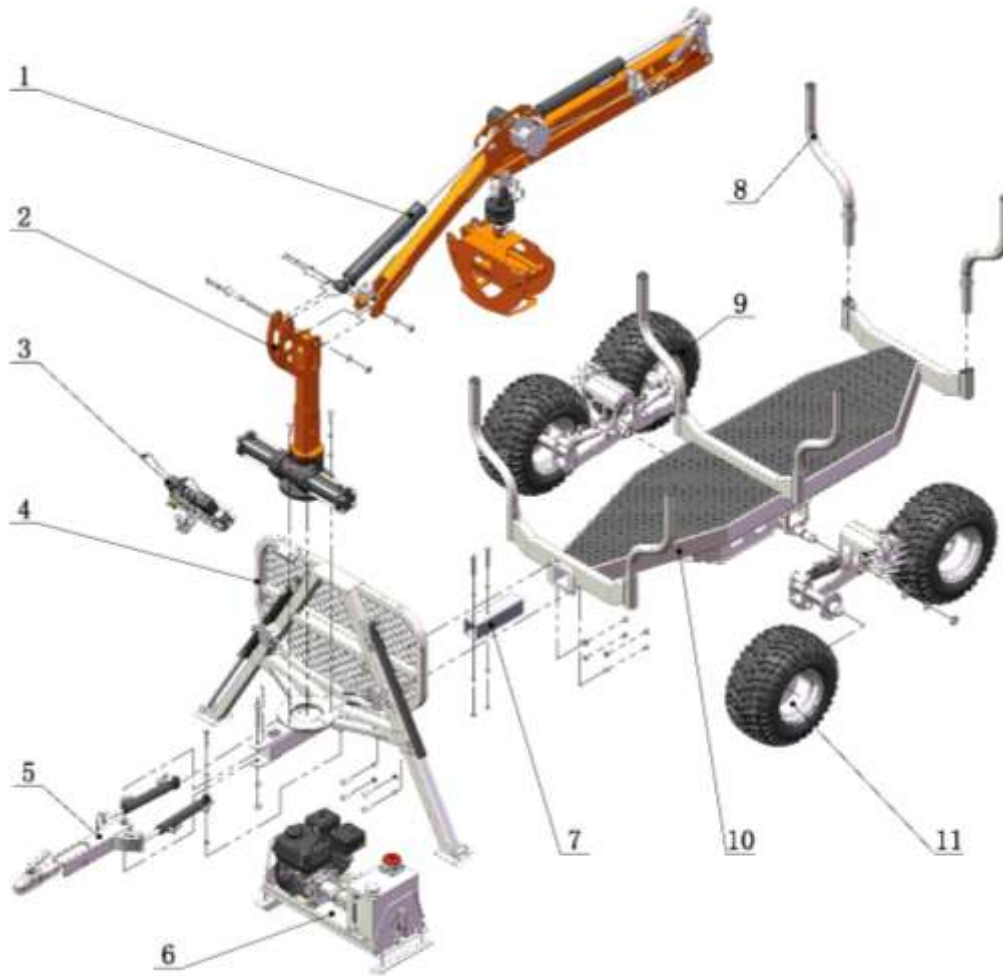
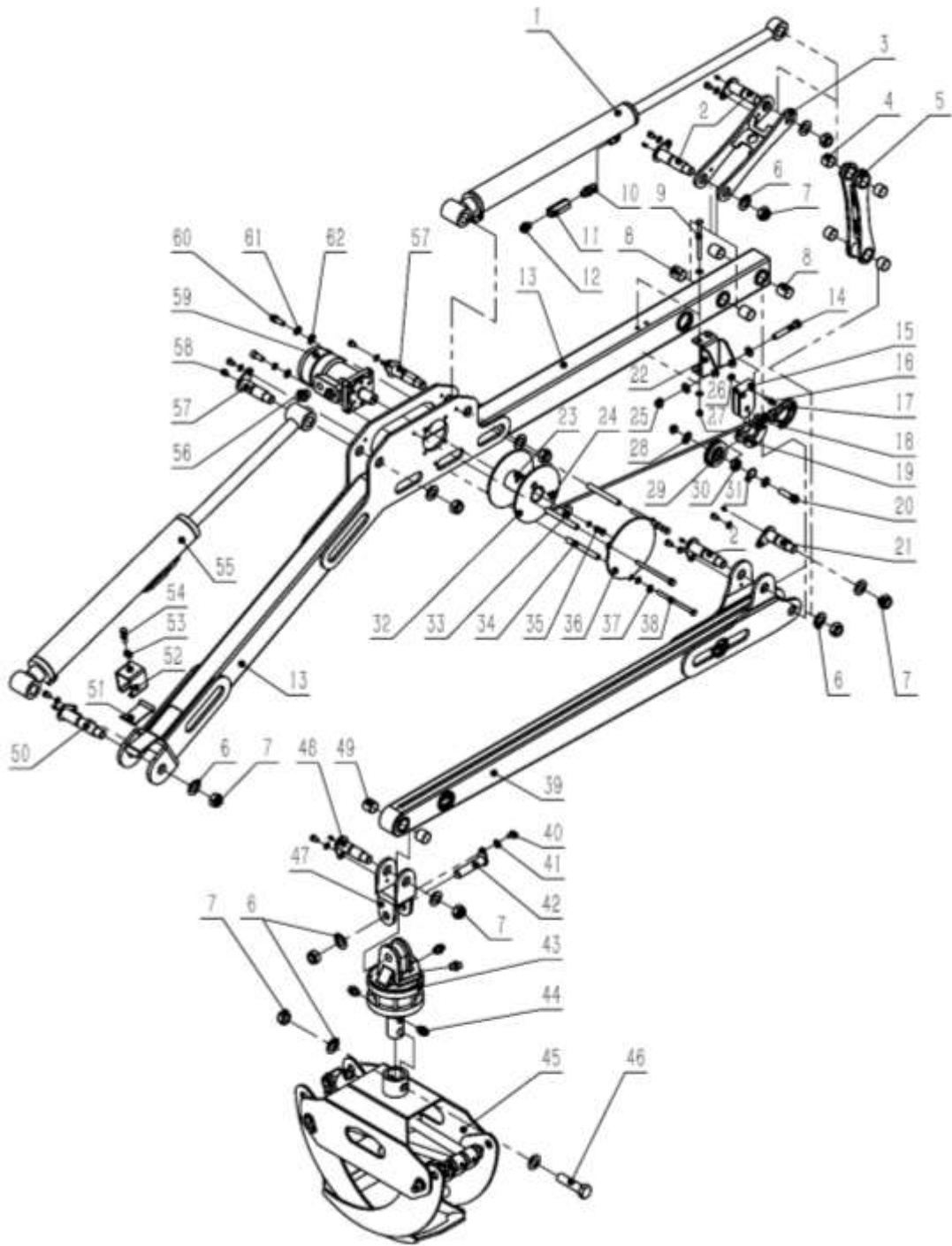


LC350 Exploded View



GENERAL ASSEMBLY			
NO.	Drawing No	Part name	Qty.
1	LC350-01	起重吊臂部件	1
2	LC350-02	立臂部件	1
3	LC350-03	多路阀组件	1
4	LC350-04	前防护网架	1
5	LC 350-05	转向辅助部件	1
6	LC 350-06	液压动力单元	1
7	LC 350-07	连接管	1
8	LC 350-08	护管	6
9	LC 350-09	四驱轮部件	1
10	LC 350-010	拖车主架	1
11	LC 350-011	轮胎 (右)	2

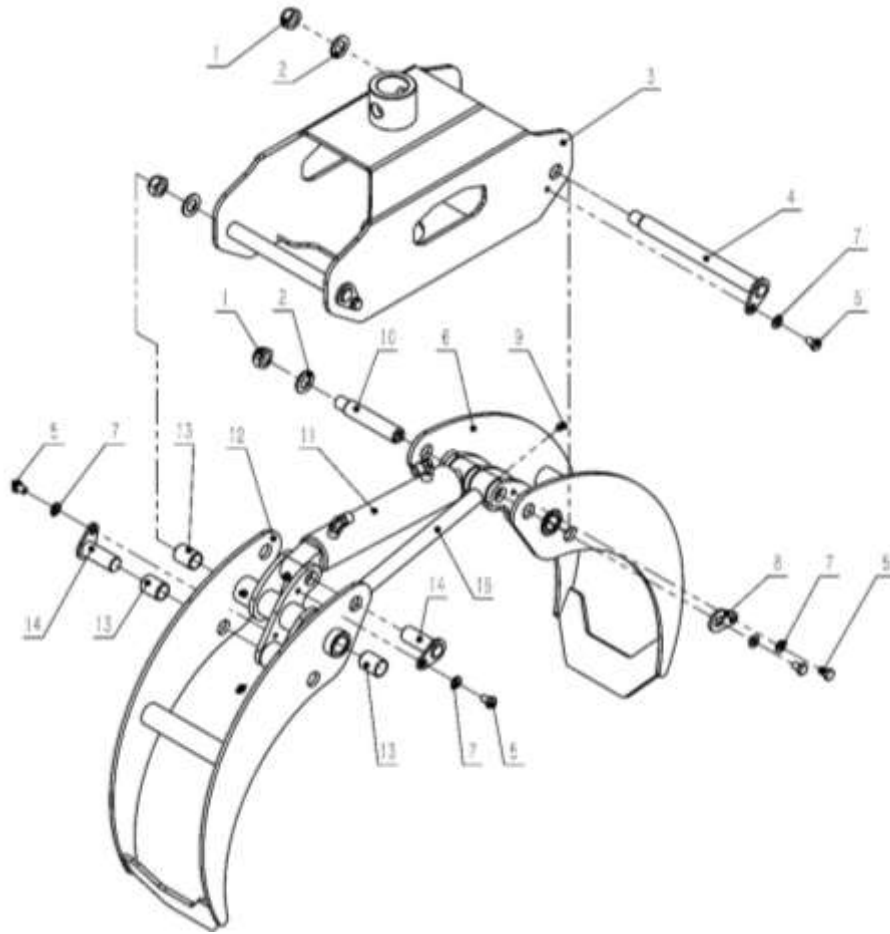
LC350-01 Crane



LC350-01 Crane			
NO.	Drawing No	Part name	Qty.
1	85 . 7115 . 852	Medium arm cylinder	1
2	31 . 7115 . 322	Connecting pin shaft welding I	3
3	31 . 7115 . 345	Medium arm cylinder support	1
4	61 . 7115 . 606	copper sheathing 252825	4
5	31 . 7115 . 325	Middle arm link	1
6	GB / T 97.1-2002	Flat mat 20	11
7	GB / T 889.1-2000	Self locking nut M20	10
8	61 . 7115 . 606	Copper sleeve 252825	4
9	GB / T 5782-2000	Hex bolt M8X105	2
10	76 . 7115 . 7640	M14X1.5-3/8 union	2
11	76 . 7130 . 769	Explosion proof valve	2
12	76 . 7115 . 7641	Straight joint M14-3/8	2
13	31 . 7115 . 311	Middle arm	1
14	GB / T 5782-2000	Hex bolt M12×75	1
15	21 . 7130 . 281	Pulley mounting plate	1
16	GB / T 5782-2000	Hex bolt M6X30	2
17	81 . 7130 . 802	Winch wire rope (hook)	1
18	GB / T 825-1988	Eyebolt M8	1
19	21 . 7130 . 280	Wire rope limit plate	1
20	GB / T 5783-2016	Hex bolt M12×45	1
21	31 . 7115 . 322	Shaft weldment II	1
22	21 . 7115 . 277	Pulley fixing seat	1
23	21 . 7130 . 278	Wirerope press plate	1
24	GB / T 70.3-2008	Hex countersunk screw M8×12	1
25	GB / T 889.1-2000	Self locking nut M12	2
26	GB / T 889.1-2000	Self locking nut M6	2
27	GB / T 889.1-2000	Self locking nut M8	3
28	GB / T 97.1-2002	Flat mat 12	4
29	11 . 7130 . 149	Pulley part	1
30	GB/T 276-2013	Ball bearing [6001-2RS]	1
31	GB / T 893-2017	Circlip for hole 28	1
32	31 . 7130 . 340	Winch weldment	1
33	GB / T 5287-2002	Extra large washer 8	1

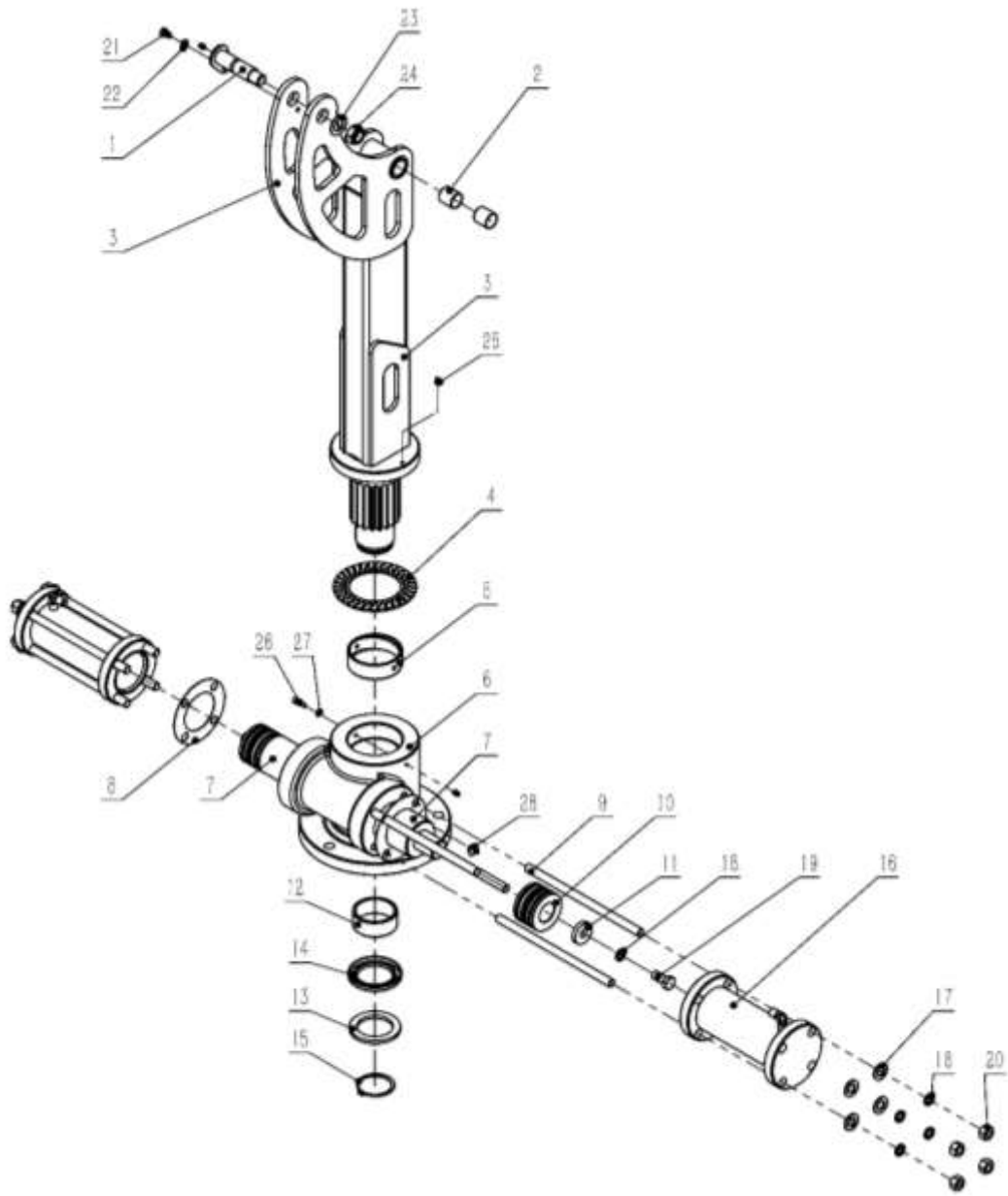
34	11 . 7130 . 151	Winch liner	3
35	GB / T 5783-2000	Hex bolt M8X20	1
36	21 . 7130 . 283	Winch guard	1
37	GB / T 93-1987	Spring washer 8	4
38	GB / T 5782-2000	Hex bolt M8X120	3
39	31 . 7115 . 313	Front arm	1
40	GB / T 5783-2000	Hex bolt M8X12	9
41	GB / T 97.1-2002	Flat mat 8	17
42	31 . 7130 . 332	Shaft for lifting part I	1
43	86 . 7130 . 861	Rotation motor	1
44	76 . 7130 . 7604	Straight joint M14	6
45	99 . 7125 . 901	Grappler	1
46	GB / T 5782-2000	Hex bolt M20×80	1
47	31 . 7115 . 330	Lifting part	1
48	31 . 7115 . 392	Shaft for lifting part III	1
49	61 . 7115 . 606	Copper sleeve 252825	2
50	31 . 7115 . 1102	Shaft for vertical arm II	1
51	21 . 7115 . 2702	Tube pressing plate	1
52	31 . 7115 . 2705	Fixed sleeve	1
53	GB / T 6170-2000	Hex nut M8	1
54	GB / T 5783-2000	Hex bolt M8X35	1
55	85 . 7115 . 851	Hydraulic cylinder	1
56	76 . 7130 . 7605	Straight joint M18-M14	2
57	31 . 7130 . 333	Shaft for lifting part II	2
58	JB / T 7940.1-1995	Force filling oil cup M6	8
59	86 . 101 . 863	Hydraulic motor for winch	1
60	GB / T 70.1-2008	Hex bolt M10X25	4
61	GB / T 859-1987	Spring washer 10	4
62	GB / T 97.1-2002	Flat mat 10	4

LC350-01-45 Grappler



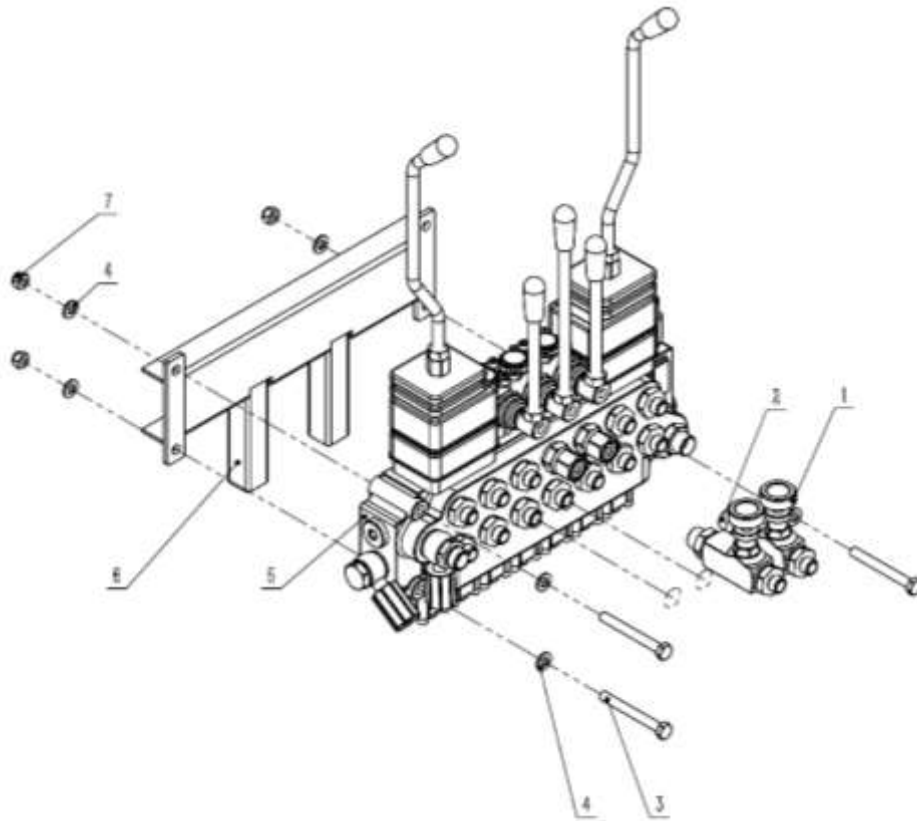
LC350-01-45 Grappler			
NO.	Drawing No	Part name	Qty.
1	GB / T 889.1-2000	Self locking nut M16	3
2	GB / T 97.1-2002	Flat mat 16	3
3	31 . 7125 . 325	Grab	1
4	31 . 7125 . 358	Shaft for grab	2
5	GB / T 5783-2000	Hex bolt M8X12	6
6	31 . 7115 . 334	Grab I	1
7	GB / T 97.1-2002	Flat mat 8	6
8	21 . 7125 . 262	Cylinder plate T	1
9	JB / T 7940.1-1995	Force filling oil cup M6	8
10	11 . 7125 . 159	Cylinder shaft II	1
11	85 . 7125 . 857	Hydraulic cylinder	1
12	31 . 7115 . 335	Grab II	1
13	61 . 7115 . 604	Copper sleeve 232025	6
14	31 . 7125 . 357	Cylinder shaft I	2
15	31 . 7125 . 356	Connecting rod	1

LC350-02 support frame



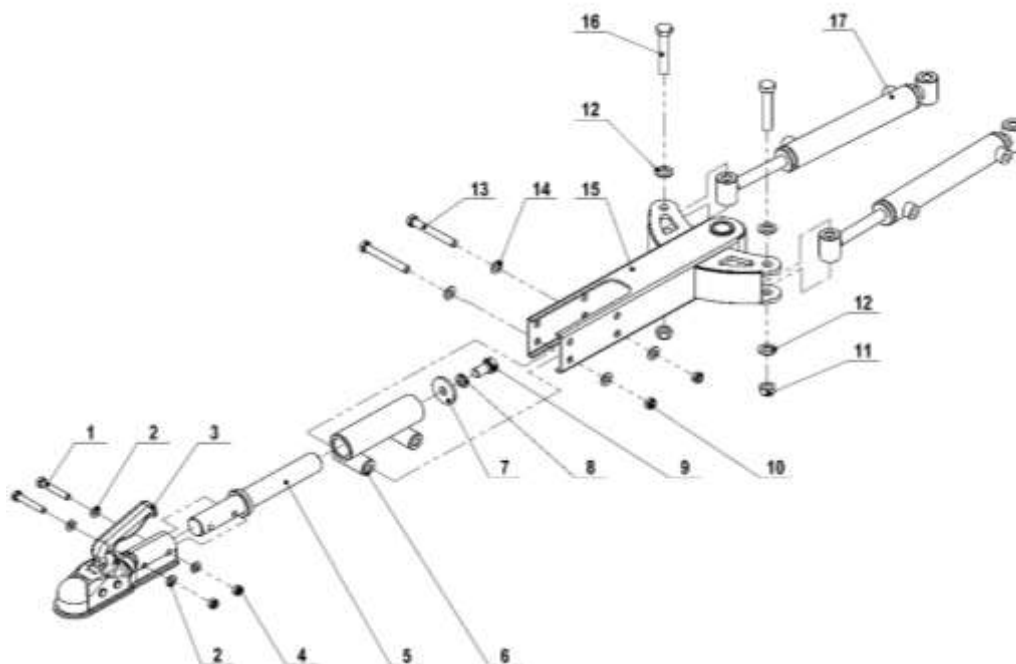
LC350-02 support frame			
NO.	Drawing No	Part name	Qty.
1	31 . 7115 . 1101	Vertical arm shaft I	1
2	61 . 7115 . 606	Copper sleeve 252825	2
3	31 . 7115 . 312	Vertical arm	1
4	61 . 7130 . 603	Wear resistant support pad	1
5	61 . 7115 . 601	Copper sleeve 928530	1
6	63 . 7130 . 631	Bearing seat	1
7	11 . 7115 . 107	Drive rack shaft	1
8	48 . 7130 . 481	Cylinder seal	2
9	11 . 7130 . 199	Cylinder rod	8
10	85 . 7130 . 852	Cylinder piston	2
11	21 . 7130 . 2108	Cylinder piston seal	2
12	61 . 7115 . 602	Copper sleeve 726530	1
13	21 . 7130 . 224	flat gasket under gear shaft	1
14	TC	Seal 65x90x10	1
15	GB / T 894-2017	External Circlips 60	1
16	85 . 7130 . 851	Cylinder tube	2
17	GB / T 97.1-2002	Flat mat 14	8
18	GB / T 93-1987	Spring washer 14	10
19	GB / T 5783-2000	Hex bolt M14×30	2
20	GB / T 6170-2000	Hex nut M14	8
21	GB / T 5783-2000	Hex bolt M8X12	1
22	GB / T 97.1-2002	Flat mat 8	1
23	GB / T 97.1-2002	平垫 20	1
24	GB / T 889.1-2000	Hex locking nut M20	1
25	JB / T 7940.1-1995	Force filling oil cup M6	4
26	GB / T 70.1-2008	Hex bolt M6X20	1
27	GB / T 93-1987	Spring washer 6	1
28	JB / T 7940.1-1995	Force filling oil cup M14×1.5	1

LC350-03 Multi-Control Valves



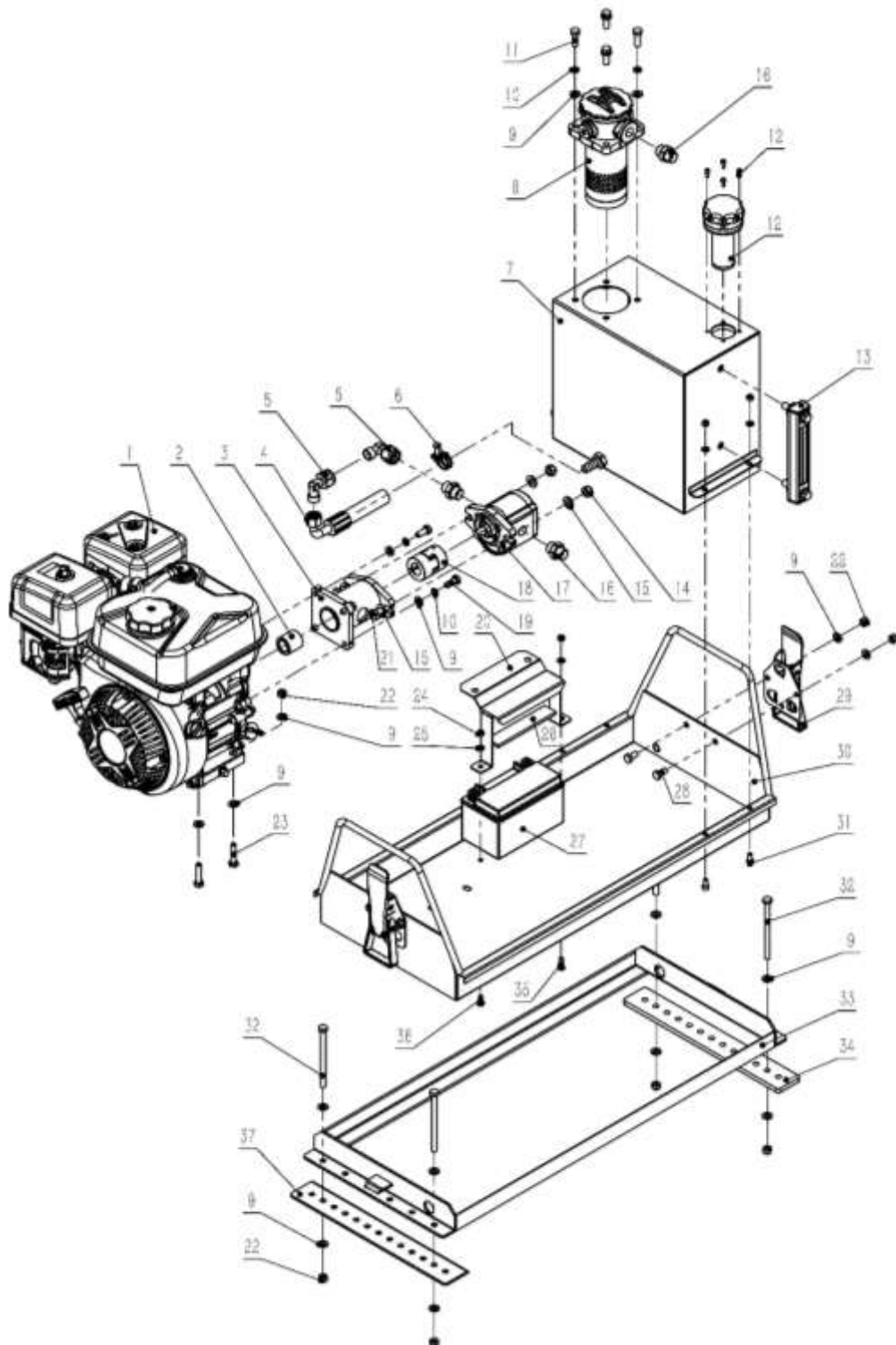
LC350-03Multi-Control Valves			
NO.	Drawing No	Part name	Qty
1	L-8HL	Throttle valve (two ways)	1
2	L(A)-8HL	Throttle valve (one way)	1
3	GB / T 5782-2000	Hex bolt M8X70	3
4	GB / T 97.1-2002	Flat mat8	6
5	76 . 7115 . 7618	7ways valve	1
6	31 . 7115 . 350	Valve mounting seat	1
7	GB / T 889.1-2000	Self locking nut M8	3

LC350-05 转向辅助部件



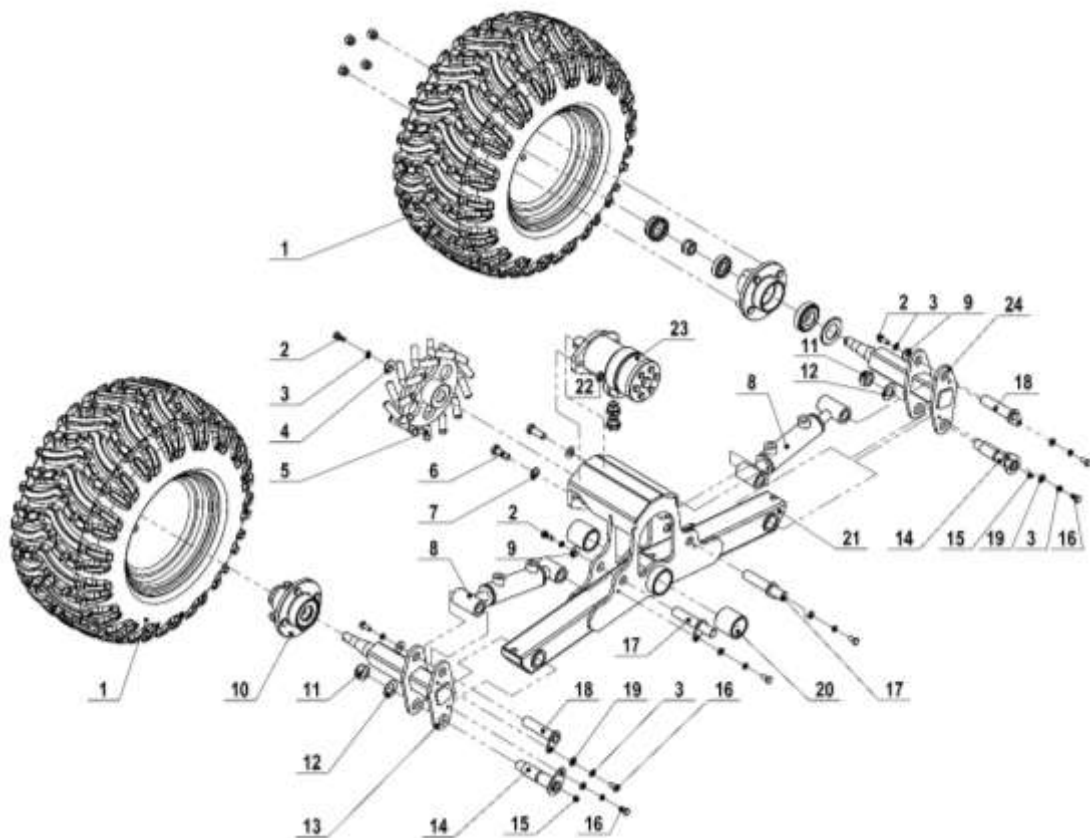
LC350-05 转向辅助部件			
NO.	Drawing No	Part name	Qty.
1	GB / T 5783-2000	六角螺栓 M10X60(12.9)	2
2	GB / T 97.1-2002	平垫 10	4
3	72 . 6031 . 729	拖车盖	1
4	GB / T 889.1-2000	自锁螺母 M10	2
5	31 . 7130 . 343	牵引杆	1
6	31 . 7115 . 351	牵引杆轴套焊合件	1
7	21 . 7130 . 284	牵引轴垫片	1
8	GB / T 93-1987	弹性垫圈 16	1
9	GB / T 5783-2016	六角螺栓 M16×30	1
10	GB / T 889.1-2000	自锁螺母 M12	2
11	GB / T 889.1-2000	自锁螺母 M16	2
12	GB / T 97.1-2002	平垫 16	4
13	GB / T 5782-2000	六角螺栓 M12X95	2
14	GB / T 97.1-2002	平垫 12	4
15	31 . 7715 . 381	拖车器固定管焊合件	1
16	GB / T 5782-2000	六角螺栓 M16×85	2
17	85 . 7715 . 858	转弯辅助油缸	2

LC350-06 power unit



LC350-06 power unit			
NO.	Drawing No	Part name	Qty.
1	DH196CC	7HP gasoline engine	1
2	11 . 7130 . 172	Crankshaft spacer	1
3	31 . 7125 . 346	Coupling shell	1
4	73 . 7115 . 7301	Tube /A	1
5	76 . 7115 . 7616	Right angle joint M18	2
6	QC / T 619-19100	Double wire clamp d22	1
7	31 . 7115 . 932	Oil tank	1
8	76 . 7115 . 769	Filter RFA-25	1
9	GB / T 97.1-2002	Flat mat 8	28
10	GB / T 93-1987	Spring washer 8	8
11	GB / T 5783-2000	Hex bolt M8×25	4
12	76 . 7115 . 768	Filter for oil inlet port	1
13	76 . 7130 . 760	Dipstick YWZ-150T	1
14	GB / T 889.1-2000	Self locking nut M10	2
15	GB / T 97.1-2002	Flat mat 10	4
16	76 . 7130 . 7602	Straight joint M18X1.5	3
17	86 . 7325 . 862	Pump CBD-F3.5	1
18	77 . 7115 . 771	Coupling 20-12-50	1
19	GB / T 5783-2000	Hex bolt M8X20	4
20	31 . 7115 . 931	Battery pressing plate	1
21	GB / T 5783-2000	Hex bolt M10×35	2
22	GB / T 889.1-2000	Self locking nut M8	12
23	GB / T 5783-2000	Hex bolt M8×35	4
24	GB / T 889.1-2000	Self locking nut M6	6
25	GB / T 97.1-2002	Flat mat 6	8
26	43 . 7115 . 432	Damping rubber strip	1
27	87 . 7115 . 877	battery	1
28	GB / T 5783-2000	Hex bolt M8X16	4
29	72 . 7115 . 721	Hasp	2
30	31 . 7115 . 997	Power units frame	1
31	GB / T 70.1-2008	Hex bolt M6×12	4
32	GB / T 5783-2000	Hex bolt M8×110	4
33	31 . 7115 . 355	Mounting plate for power units	1
34	21 . 7115 . 214	Fixing plate for power units I	1
35	GB / T 5783-2000	Hex bolt M6×16	1
36	GB / T 5783-2000	Hex bolt M6×12	1
37	21 . 7115 . 215	Fixing plate for power units II	1

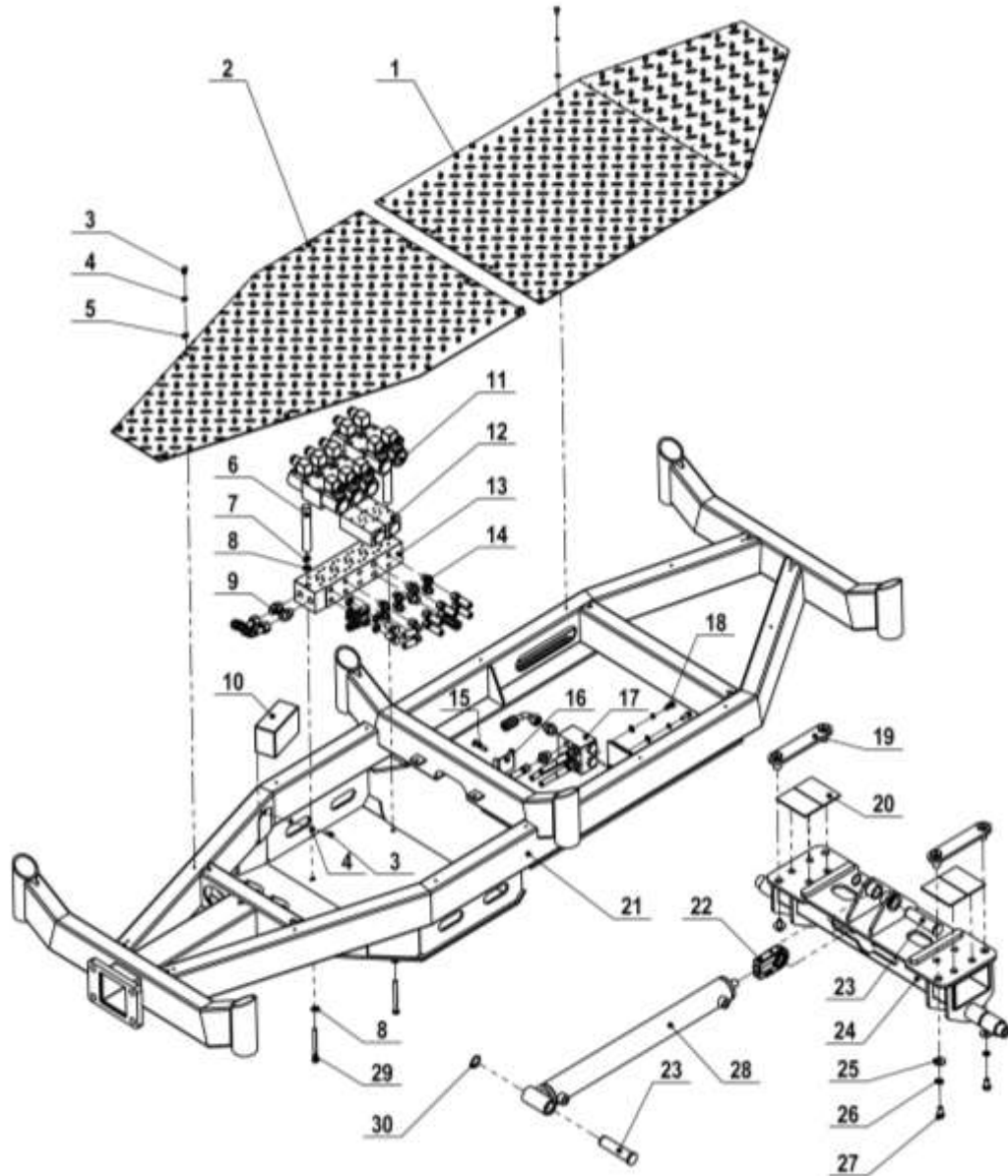
LC350-09 四轮驱动架组件



LC350-09 四轮驱动架组件			
NO.	Drawing No	Part name	Qty.
1	45. 7115. 452	轮胎（左）	2
2	GB / T 5783-2000	六角螺栓 M8X20	5
3	GB / T 93-1987	弹性垫圈 8	11
4	GB / T 5287-2002	特大垫圈 8	1
5	31. 7115. 360	驱动轮焊合件 II	1
6	GB / T 5782-2000	六角螺栓 M12X35	2
7	GB / T 97.1-2002	平垫 12	2
8	85. 7715. 854	驱动轮油缸	2
9	GB / T 96.1-2002	大平垫 8	4
10	99. 7115. 72	轮毂法兰组件	2
11	GB / T 889.1-2000	自锁螺母 M20	2
12	GB / T 97.1-2002	平垫 20	2
13	31. 7715. 388	轮轴焊合件 II	1

14	31. 7115. 322	连接销轴焊合件 I	2
15	JB / T 7940. 1-1995	直通式压注油杯 M6	3
16	GB / T 5783-2000	六角螺栓 M8X16	6
17	31. 7715. 382	轮轴架限位销轴焊合件	2
18	31. 7715. 385	四驱油缸销轴 II 焊合件	2
19	GB / T 97. 1-2002	平垫 8	6
20	61. 7715. 605	铜套 4050-50	2
21	31. 7715. 383	轮轴架焊合件	1
22	GB / T 889. 1-2000	自锁螺母 M12	2
23	86. 7115. 863	BM1-160 液压马达	1
24	31. 7715. 384	轮轴焊合件 I	1

LC350-10 拖车主架部件



LC350-09 四轮驱动架组件			
NO.	Drawing No	Part name	Qty.
1	21. 7715. 2323	拖车后盖板	1
2	21. 7715. 2322	拖车前盖板	1
3	GB / T 5783-2000	六角头螺栓 M6×12	23
4	GB / T 93-1987	弹性垫圈 6	23
5	GB / T 97.1-2002	平垫 6	23

6	11. 7715. 1006	防撞轴	2
7	GB / T 889.1-2000	自锁螺母 M8	2
8	GB / T 97.1-2002	平垫 8	6
9	76. 7130. 7602	外丝直接 M18X1.5	4
10	46. 7130. 461	接收器遥控组件	1
11	76. 7715. 7619.2	液压电磁换向阀	5
12	76. 7715. 7620	叠加保压阀	2
13	76. 7715. 7619.1	五路油路块	1
14	76. 7130. 7604	外丝直接 M14	6
15	GB / T 5783-2000	六角头螺栓 M8×35	1
16	21. 7715. 2782	同步阀油管固定板	1
17	76. 7715. 7619	四缸同步阀	1
18	GB / T 5783-2000	六角螺栓 M8X20	2
19	31. 7715. 386	滑动限位块焊合件	2
20	43. 7130. 431	横梁树脂滑板	4
21	31. 7715. 371	拖车主架焊合件	1
22	GK	油缸耳环 GK25SK	1
23	11. 7715. 1005	滑座油缸销轴	2
24	31. 7715. 387	滑动座焊合件	1
25	GB / T 97.1-2002	大平垫 10	4
26	GB / T 859-1987	弹性垫圈 10	4
27	GB / T 5782-2000	六角螺栓 M10×20	4
28	85. 7115. 852	中臂油缸	1
29	GB / T 5782-2000	六角螺栓 M8X90	2
30	GB / T 894.1-1986	轴用弹性挡圈 25	2